

GRUPO **AG**®

... desde 1979

Gantrys



HARRINGTON
HOISTS AND CRANES

THERN
LEAVE THE HEAVY LIFTING TO US.

01.800.890.0799
www.AGgrupo.mx

PORTA-GANTRY[®] RAPIDE

1,100 lb (500 kg) Goods
550 lb (250 kg) Personnel

The PORTA-GANTRY RAPIDE adds exciting new dimensions to the PORTA-GANTRY family, as a unique rapid deployment system with Goods and Personnel Lifting (Man-ride) capability.



Provided by **THERN**



Standard Dimensions

Open:
81.0 x 85.4 x 45.7 in
(2076 x 2189 x 1170 mm)

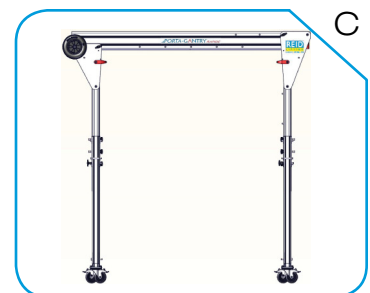
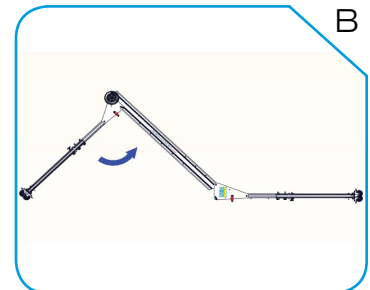
Folded:
17.2 x 85.5 x 16.2 in
(440 x 2190 x 415 mm)

Height to Lifting Eye:
Master Link Trolley
67.8 - 75.6 in
(1738 - 1938 mm)

Closed Coupled Trolley
72.2 - 80.0 in
(1850 - 2050 mm)

Working Span:
59.1 in
(1500 mm)

Easy Assembly (A-C)



FEATURES

- Dual rated for goods and personnel lifting
 - Goods rated to WLL 1100 lb (500kg)
 - Personnel rated to WLL 550 lb (250kg)
 - Designed to meet and exceed OSHA, ANSI, CSA and CE standards
 - Rapid assembly by one person in less than a minute.
 - Easily assembled using pins by just one person (No bolts or tools required)
 - Total assembled weight from just 72 lb (33kg).
 - Load bearing, lockable castors for easy positioning.*
 - Folds down neatly for easy transportation with integral wheeled carrier for portability by one person. 2 handles for carrying with 2 people.
 - Highly compact for stowage and easily fits into a typical service vehicle
 - Height of Lift easily adjusted with additional 7.9 in (200mm) height available
 - Multiple person fall arrest capability.
- * ACOP – Advises no gantry movement under load except where a “competent person” has undertaken a suitable Risk Assessment & Method Statement and deems appropriate.



LIGHTWEIGHT ■ PORTABLE ■ SAFE

Provided by THERN

OSHA
ANSI
CSA
CE

LEEA Membership

ISO 9001

ISO 14001

OHSAS
18001

The Queen's
Award for
Enterprise
Innovation



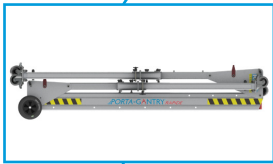
PORTABILITY

Carry handles and trolley integral to structure.



LOAD TROLLEY

Innovative quick release trolley fitted in seconds.



COMPACT

Frames easily fold onto beam forming, stowable units.



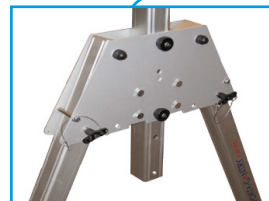
RAPID ATTACHMENTS

Winch option deployed on two bolts. Height adjusted easily by hand.



STOWABILITY

Trolleys easily stow onto folded structure & compact size lends itself to easy storage.



"TRAP" PLATES

Trapezoidal plates and aircraft pins enable rapid, safe deployment without tools.

RAPIDE DESIGN OPTIONS

Part #	Description
PGRS00500CA	A-Frame
MATERIAL HANDLING TROLLEY (choose one)	
PGTZR00500 (A)	Master Link Trolley used with chain hoist*
PGTXR00500 (B)	Closed Coupled Trolley used with chain hoist*
	Basic carriers for general use with material handling applications. Closed Coupled Trolley provides additional 4.5" of overhead clearance.
PERSONNEL LIFTING CONFIGURATION (man-ride)	
PGTUR00500 (C)	Sheave Carrier - Guides wire rope on personnel rated winch. Use in conjunction with winch bracket. - Required
RAPG000002 (D)	Winch Bracket - Designed to hold SALA II personnel rated hand winch*. Includes sheave to guide wire rope. - Required
Trolley Choice	Select either Master Link Trolley or Closed Coupled Trolley to attach SRL (Self Retracting Lifeline)*.

* Provided by others.



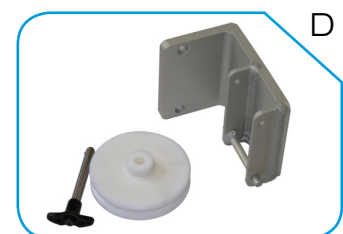
A



B



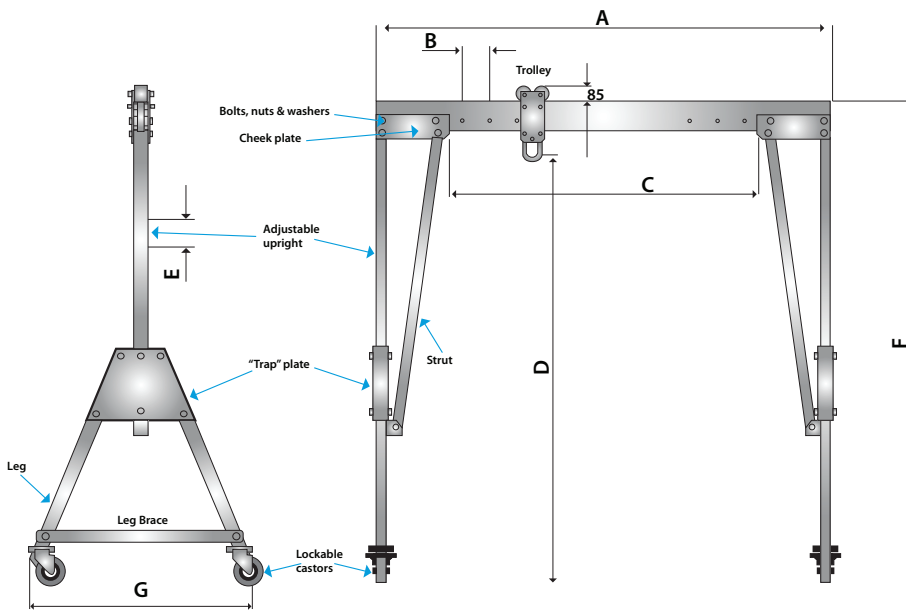
C



D

REID PORTA-GANTRY STANDARD UNIT DATA SHEET

PG Systems	Capacity	Overall Beam Length (A)	Span Adjustment Increment (B)	Max Working Span (C)	Max Height to Lifting Eye (D)	Min Height to Lifting Eye	Height Adjustment Increment (E)	Max Height to Top of Beam (F)	Max Width Across Legs (G)	Persons to Assemble	Beam Weight	A Frame Weight (pair)	Trolley Weight	Approx. Ship Wt.
		(in) (mm)	(in) (mm)	(in) (mm)	(in) (mm)	(in) (mm)	(in) (mm)	(in) (mm)	(in) (mm)		(lb) (kg)	(lb) (kg)	(lb) (kg)	(lb) (kg)
PGSS00500S-2500	1/2 ton (1100 lb)	98.4 2,500	7.8 200	62.2 1,580	92.9 2,361	63.4 1,611	5.9 150	105.4 2,678	48 1,220	1	40 18	146.0 66.0	16 7.2	503.0 228.0
PGSS00500S-3920		154.3 3,920	7.8 200	118.1 3,000	92.9 2,361	63.4 1,611	5.9 150	105.4 2,678	48 1,220	1	63 29	146.0 66.0	16 7.2	525.0 238.0
PGSS00500S-4570		179.9 4,570	7.8 200	143.7 3,650	92.9 2,361	63.4 1,611	5.9 150	105.4 2,678	48 1,220	1	74 33	146.0 66.0	16 7.2	534.0 242.0
PGSS01000S-2500	1 ton (2200 lb)	98.4 2,500	7.8 200	62.2 1,580	92.9 2,361	63.4 1,611	5.9 150	105.4 2,678	48 1,220	2	40 18	146.0 66.0	16 7.2	503.0 228.0
PGSS01000S-3920		154.3 3,920	7.8 200	118.1 3,000	92.9 2,361	63.4 1,611	5.9 150	105.4 2,678	48 1,220	2	63 29	146.0 66.0	16 7.2	525.0 238.0
PGSS01000S-4570		179.9 4,570	7.8 200	143.7 3,650	92.9 2,361	63.4 1,611	5.9 150	105.4 2,678	48 1,220	2	73 33	146.0 66.0	16 7.2	534.0 242.0
PGSS01000M-2500	1 ton (2200 lb)	98.4 2,500	7.8 200	62.2 1,580	112.3 2,854	82.8 2,104	5.9 150	124.8 3,171	56.2 1,429	2	40 19	176.0 80.0	16 7.2	534.0 242.0
PGSS01000M-3920		154.3 3,920	7.8 200	118.1 3,000	112.3 2,854	82.8 2,104	5.9 150	124.8 3,171	56.2 1,429	2	63 29	176.0 80.0	16 7.2	556.0 252.0
PGSS01000M-4570		179.9 4,570	7.8 200	143.7 3,650	112.3 2,854	82.8 2,104	5.9 150	124.8 3,171	56.2 1,429	2	73 33	176.0 80.0	16 7.2	565.0 256.0
PGSS02000S-2500	2 ton (4400 lb)	98.4 2,500	7.8 200	62.2 1,580	92.9 2,361	63.4 1,611	5.9 150	105.4 2,678	48.0 1,220	2	40 18	168.0 76.0	16 7.2	525.0 238.0
PGSS02000S-3920		154.3 3,920	7.8 200	118.1 3,000	92.9 2,361	63.4 1,611	5.9 150	105.4 2,678	48.0 1,220	2	63 29	168.0 76.0	16 7.2	547.0 248.0
PGSS02000S-4570		179.9 4,570	7.8 200	143.7 3,650	92.9 2,361	63.4 1,611	5.9 150	105.4 2,678	48.0 1,220	2	73 33	168.0 76.0	16 7.2	556.0 252.0
PGSS02000I-2500	2 ton (4400 lb)	98.4 2,500	7.8 200	62.2 1,580	125.9 3,198	86.5 2,198	7.8 200	138.3 3,514	67.9 1,726	2	40 18	203.0 92.0	16 7.2	561.0 254.0
PGSS02000I-3920		154.3 3,920	7.8 200	118.1 3,000	125.9 3,198	86.5 2,198	7.8 200	138.3 3,514	67.9 1,726	2	63 29	203.0 92.0	16 7.2	583.0 264.0
PGSS02000I-4570		179.9 4,570	7.8 200	143.7 3,650	125.9 3,198	86.5 2,198	7.8 200	138.3 3,514	67.9 1,726	2	73 33	203.0 92.0	16 7.2	592.0 269.0
PGSS03000T-2500	3 ton (6600 lb)	98.4 2,500	7.8 200	62.2 1,580	160.9 4,089	113.7 2,889	7.8 200	173.4 4,405	79.1 2,011	3	40 18	362.0 164.0	16 7.2	757.0 343.0
PGSS03000T-4570		179.9 4,570	7.8 200	143.7 3,650	160.9 4,089	113.7 2,889	7.8 200	173.4 4,405	79.1 2,011	3	94 43	362.0 164.0	16 7.2	812.0 368.0
PGSA05000T-4570 ¹	5 ton (11k lb)	179.9 4,570	7.8 200	143.7 3,650	159 4,040	118.8 2,840	7.8 200	176.5 4,485	79.1 2,011	3 - 4	155 70	467.0 ² 212.0	20 9.2	982.0 445.0



NOTE - beam height adjustment:

The height of each gantry beam is easily adjusted by the release of 2 bolts on each upright and can be easily and securely raised into position by increments of 5.91 or 7.87 inches (150 or 200 mm).

To assist with this activity a geared wheel is provided for the larger gantries.

All WLL ratings can be produced in each standard frame size
Custom spans, height and Working Load Limits (WLL) on application

¹ NB. PG5000 beam depth (9.85 in, 250 mm), trolley depth (22.45 in, 570 mm) & trolley top above beam (4.93 in, 125 mm) are larger than the standard beam depth (5.99 in, 152 mm), trolley depth (15.16 in, 385 mm) and trolley top above beam (3.35 in, 85 mm)

² This weight includes the stabilizer leg option

Please note that dimensions may vary marginally

NB. No leg brace fitted on 'S' systems

Castor Dimensions

1100 lb (500 kg) and 2200 lb (1000 kg) Gantry: wheel width 1.6 in (40 mm), diameter 5.9 in (150 mm), height of castor 7.5 (190 mm).

4400 lb (2000 kg), 6600 lb (3000 kg) and 11000 lb (5000 kg): wheel width 2 in (50 mm), diameter 7.9 (200 mm), height 9.6 in (245 mm).

PORTA-GANTRY® RAPIDE

No. 1 in lightweight, portable, safe lifting solutions

Model	Dimensions mm														WLL			Unit Weight
	A	B	C _{Min}	C _{Max}	D _{Min}	D _{Max}	E _{Min}	E _{Max}	F _{Min}	F _{Max}	G	H _{Min}	H _{Max}	J	Goods Capacity kg	Fall Arrest Capacity* No of person(s)	Personnel Positioning* kg	kg
PGRS20	2000	2076	1100	1500	1738	1938	1914	2114	2064	2264	1158	1850	2050	2190	500	3	250	33
PGRS23	2300	2376	1200	1800										2376	400	2	200	34
PGRS40	4000	4076	2700	3500										4076	250	1	125	40
PGRM20	2000	2076	1100	1500	1642	2042	1818	2218	1968	2368	1215	1755	2155	2076	400	2	200	34
PGRM23	2300	2376	1200	1800										2376				34
PGRM40	4000	4076	2700	3500										4076				40
PGRT20	2000	2076	1100	1500	1916	2816	2092	2992	2242	3142	1586	2028	2928	2631	250	1	125	38
PGRT23	2300	2376	1200	1800										2631				39
PGRT40	4000	4076	2700	3500										4076				44

*Ratings using European standards. Contact REID for other standards.



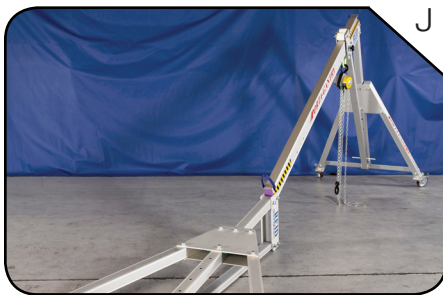
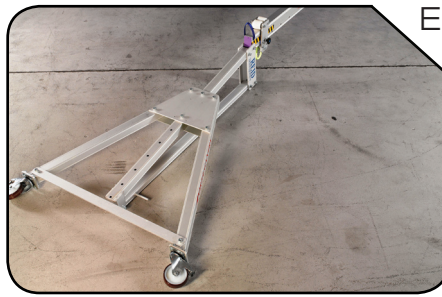
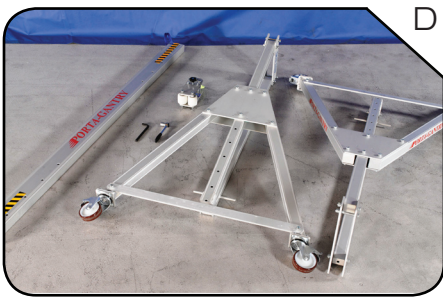
OPTIONS AND ACCESSORIES

- Tool Set
- Multiple Trolleys
- Interchangeable beam lengths

Full Customized & Built to Order Solutions Available

- Trolley control systems
- Pneumatic "All Terrain" casters and Wind Up Jack Legs
- Cantilever counterbalance variants
- Asymmetric configurations

Easy Assembly, Operation and Maintenance (D-L)



Coming Soon!!!

PORTA-GANTRY® RAPIDE



Provided by **TERN** STOW 'n' GO

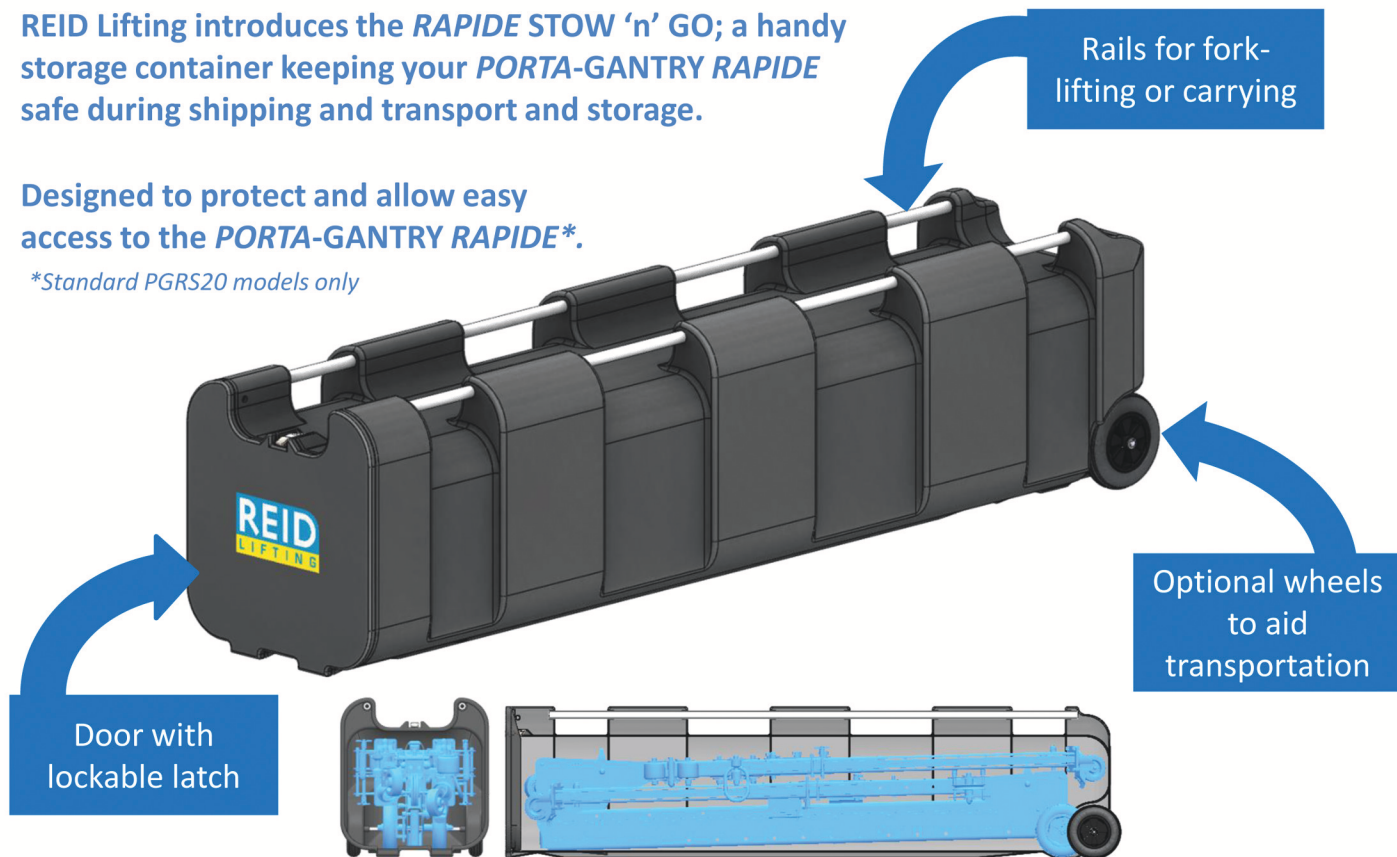
1 Person 62lb 28kg

No. 1 in lightweight, portable, safe lifting solutions

REID Lifting introduces the *RAPIDE* STOW 'n' GO; a handy storage container keeping your *PORTA-GANTRY RAPIDE* safe during shipping and transport and storage.

Designed to protect and allow easy access to the *PORTA-GANTRY RAPIDE**.

*Standard PGRS20 models only



The Facts:

- Rugged storage container protects the *PORTA-GANTRY RAPIDE* from damage during transport.
- Handy rails for fork-lifting or carrying
- Supplied with or without wheels depending upon application.
- Tools etc can be stored on top and around unit without getting in the way of the *RAPIDE* and blocking its storage space.
- Allows accessories and expensive equipment to be stored in the box out of the way from damage and contaminants.
- Dimensions: 21 (W) x 22.5 (L) x 90 (H) in / Weight approx: 62lb
532 (W) x 571 (L) x 2274 (H) mm 28kg

The Every Day User

- Designed to be stored in the back of a van to allow easy access to the *RAPIDE*.

The Depot User

- Stackable keeping all your *RAPIDE*s in one place with easy access

The *PORTA-GANTRY RAPIDE*...



SNGPO/EN/V1/13/09

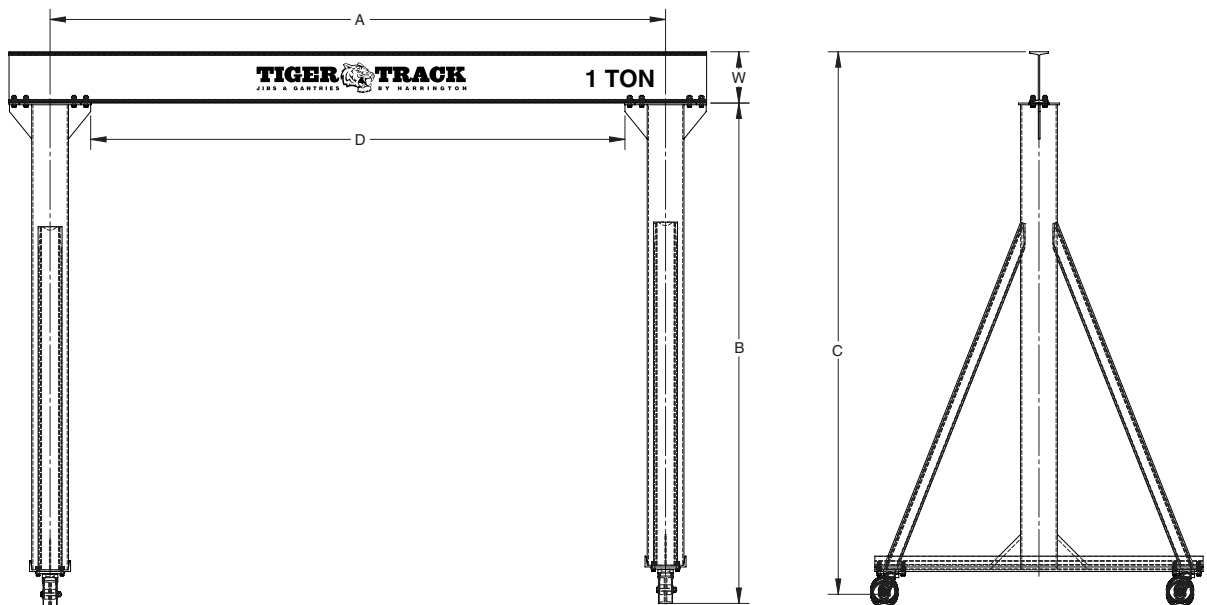
HARRINGTON

HOISTS AND CRANES



Portable Rigid Gantry Cranes

- Convenient economical solution when portability is required
- Great solution when pouring a foundation is not possible
- Fixed style
- Aluminum or Steel construction
- Fixed height gantry legs are typically made with heavy wall steel pipe
- Continuous channel bases standard for greater stability and less flex



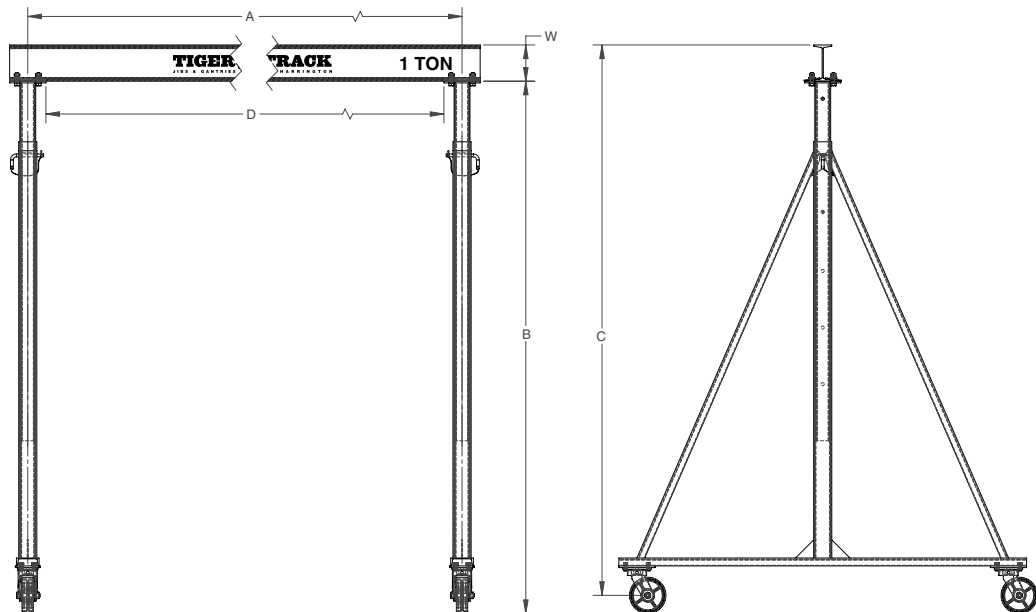
PORTABLE RIGID GANTRY CRANES

Capacity	A Span	Model Number	B HUB	C OAH	D Clear Span	W I-Beam Depth
1 TON	8'	511-2000-8-10	10'	10'-8"	7'-0"	8"
		511-2000-8-12	12'	12'-8"	7'-0"	8"
		511-2000-8-15	15'	15'-8"	7'-0"	8"
	10'	511-2000-10-10	10'	10'-8"	9'-0"	8"
		511-2000-10-12	12'	12'-8"	9'-0"	8"
		511-2000-10-15	15'	15'-8"	9'-0"	8"
	12'	511-2000-12-10	10'	10'-8"	11'-0"	8"
		511-2000-12-12	12'	12'-8"	11'-0"	8"
		511-2000-12-15	15'	15'-8"	11'-0"	8"
	15'	511-2000-15-10	10'	10'-8"	14'-0"	8"
		511-2000-15-12	12'	12'-8"	14'-0"	8"
		511-2000-15-15	15'	15'-8"	14'-0"	8"
	20'	511-2000-20-10	10'	10'-10"	19'-0"	10"
		511-2000-20-12	12'	12'-10"	19'-0"	10"
		511-2000-20-15	15'	15'-10"	19'-0"	10"
	25'	511-2000-25-10	10'	11'-0"	23'-6"	12"
		511-2000-25-12	12'	13'-0"	23'-6"	12"
		511-2000-25-15	15'	16'-0"	23'-6"	12"
2 TON	8'	511-4000-8-10	10'	10'-8"	7'-0"	8"
		511-4000-8-12	12'	12'-8"	7'-0"	8"
		511-4000-8-15	15'	15'-8"	7'-0"	8"
	10'	511-4000-10-10	10'	10'-8"	9'-0"	8"
		511-4000-10-12	12'	12'-8"	9'-0"	8"
		511-4000-10-15	15'	15'-8"	9'-0"	8"
	12'	511-4000-12-10	10'	10'-8"	11'-0"	8"
		511-4000-12-12	12'	12'-8"	11'-0"	8"
		511-4000-12-15	15'	15'-8"	11'-0"	8"
	15'	511-4000-15-10	10'	10'-10"	14'-0"	10"
		511-4000-15-12	12'	12'-10"	14'-0"	10"
		511-4000-15-15	15'	15'-10"	14'-0"	10"
	20'	511-4000-20-10	10'	11'-0"	18'-6"	12"
		511-4000-20-12	12'	13'-0"	18'-6"	12"
		511-4000-20-15	15'	16'-0"	18'-6"	12"
	25'	511-4000-25-10	10'	11'-0"	23'-6"	12"
		511-4000-25-12	12'	13'-0"	23'-6"	12"
		511-4000-25-15	15'	16'-0"	23'-6"	12"
3 TON	8'	511-6000-8-10	10'	10'-10"	6'-6"	10"
		511-6000-8-12	12'	12'-10"	6'-6"	10"
		511-6000-8-15	15'	15'-10"	6'-6"	10"
	10'	511-6000-10-10	10'	10'-10"	8'-6"	10"
		511-6000-10-12	12'	12'-10"	8'-6"	10"
		511-6000-10-15	15'	15'-10"	8'-6"	10"
	12'	511-6000-12-10	10'	10'-10"	10'-6"	10"
		511-6000-12-12	12'	12'-10"	10'-6"	10"
		511-6000-12-15	15'	15'-10"	10'-6"	10"
	15'	511-6000-15-10	10'	11'-0"	13'-6"	12"
		511-6000-15-12	12'	13'-0"	13'-6"	12"
		511-6000-15-15	15'	16'-0"	13'-6"	12"
	20'	511-6000-20-10	10'	11'-2"	18'-0"	14"
		511-6000-20-12	12'	13'-2"	18'-0"	14"
		511-6000-20-15	15'	16'-2"	18'-0"	14"
	25'	511-6000-25-10	10'	11'-2"	23'-0"	14"
		511-6000-25-12	12'	13'-2"	23'-0"	14"
		511-6000-25-15	15'	16'-2"	23'-0"	14"

For other models, capacities, spans, heights consult Customer Service.
 Dimensions are based on steel construction. Consult Customer Service for aluminum dimensions.
 Dimensions are subject to change without notice.
Specify Capacity and Span with Model Number when ordering.

Portable Adjustable Gantry Cranes

- Convenient economical solution when portability is required
- Great solution when pouring a foundation is not possible
- Adjustable style
- Aluminum or Steel construction
- Adjustable height gantry legs are typically made with heavy wall square tube
- Continuous channel bases standard for greater stability and less flex
- Available with ratchet lever hoist adjustability using the LB lever hoists



PORTABLE ADJUSTABLE GANTRY CRANES

Capacity	A Span	Model Number	B HUB Min/Max	C OAH Min/Max	D Clear Span	W I-Beam Depth
1 TON	8'	512-2000-8-10	6'-5" to 10'-0"	7'-1" to 10'-8"	7'-4"	8"
		512-2000-8-12	7'-5" to 12'-0"	8'-1" to 12'-8"	7'-4"	8"
		512-2000-8-15	9'-5" to 15'-0"	10'-1" to 15'-8"	7'-4"	8"
	10'	512-2000-10-10	6'-5" to 10'-0"	7'-1" to 10'-8"	9'-4"	8"
		512-2000-10-12	7'-5" to 12'-0"	8'-1" to 12'-8"	9'-4"	8"
		512-2000-10-15	9'-5" to 15'-0"	10'-1" to 15'-8"	9'-4"	8"
	12'	512-2000-12-10	6'-5" to 10'-0"	7'-1" to 10'-8"	11'-4"	8"
		512-2000-12-12	7'-5" to 12'-0"	8'-1" to 12'-8"	11'-4"	8"
		512-2000-12-15	9'-5" to 15'-0"	10'-1" to 15'-8"	11'-4"	8"
	15'	512-2000-15-10	6'-5" to 10'-0"	7'-1" to 10'-8"	14'-4"	8"
		512-2000-15-12	7'-5" to 12'-0"	8'-1" to 12'-8"	14'-4"	8"
		512-2000-15-15	9'-5" to 15'-0"	10'-1" to 15'-8"	14'-4"	8"
	20'	512-2000-20-10	6'-5" to 10'-0"	7'-3" to 10'-10"	19'-3"	10"
		512-2000-20-12	7'-5" to 12'-0"	8'-3" to 12'-10"	19'-3"	10"
		512-2000-20-15	9'-5" to 15'-0"	10'-3" to 15'-10"	19'-3"	10"
	25'	512-2000-25-10	6'-5" to 10'-0"	7'-5" to 11'-0"	24'-0"	12"
		512-2000-25-12	7'-5" to 12'-0"	8'-5" to 13'-0"	24'-0"	12"
		512-2000-25-15	9'-5" to 15'-0"	10'-5" to 15'-8"	24'-0"	12"
2 TON	8'	512-4000-8-10	6'-9" to 10'-0"	7'-5" to 11'-0"	7'-4"	8"
		512-4000-8-12	7'-9" to 12'-0"	8'-5" to 13'-0"	7'-4"	8"
		512-4000-8-15	9'-9" to 15'-0"	10'-5" to 15'-8"	7'-4"	8"
	10'	512-4000-10-10	6'-9" to 10'-0"	7'-5" to 11'-0"	9'-4"	8"
		512-4000-10-12	7'-9" to 12'-0"	8'-5" to 13'-0"	9'-4"	8"
		512-4000-10-15	9'-9" to 15'-0"	10'-5" to 15'-8"	9'-4"	8"
	12'	512-4000-12-10	6'-9" to 10'-0"	7'-5" to 11'-0"	11'-4"	8"
		512-4000-12-12	7'-9" to 12'-0"	8'-5" to 13'-0"	11'-4"	8"
		512-4000-12-15	9'-9" to 15'-0"	10'-5" to 15'-8"	11'-4"	8"
	15'	512-4000-15-10	6'-9" to 10'-0"	7'-7" to 10'-10"	14'-3"	10"
		512-4000-15-12	7'-9" to 12'-0"	8'-7" to 12'-10"	14'-3"	10"
		512-4000-15-15	9'-9" to 15'-0"	10'-7" to 15'-10"	14'-3"	10"
	20'	512-4000-20-10	6'-9" to 10'-0"	7'-9" to 11'-0"	19'-0"	12"
		512-4000-20-12	7'-9" to 12'-0"	8'-9" to 13'-0"	19'-0"	12"
		512-4000-20-15	9'-9" to 15'-0"	10'-9" to 16'-0"	19'-0"	12"
	25'	512-4000-25-10	6'-9" to 10'-0"	7'-9" to 11'-0"	24'-0"	12"
		512-4000-25-12	7'-9" to 12'-0"	8'-9" to 13'-0"	24'-0"	12"
		512-4000-25-15	9'-9" to 15'-0"	10'-9" to 16'-0"	24'-0"	12"
3 TON	8'	512-6000-8-10	6'-11" to 10'-0"	7'-9" to 10'-10"	6'-6"	10"
		512-6000-8-12	7'-11" to 12'-0"	8'-9" to 12'-10"	6'-6"	10"
		512-6000-8-15	9'-11" to 15'-0"	10'-9" to 15'-10"	6'-6"	10"
	10'	512-6000-10-10	6'-11" to 10'-0"	7'-9" to 10'-10"	8'-6"	10"
		512-6000-10-12	7'-11" to 12'-0"	8'-9" to 12'-10"	8'-6"	10"
		512-6000-10-15	9'-11" to 15'-0"	10'-9" to 15'-10"	8'-6"	10"
	12'	512-6000-12-10	6'-11" to 10'-0"	7'-9" to 10'-10"	10'-6"	10"
		512-6000-12-12	7'-11" to 12'-0"	8'-9" to 12'-10"	10'-6"	10"
		512-6000-12-15	9'-11" to 15'-0"	10'-9" to 15'-10"	10'-6"	10"
	15'	512-6000-15-10	6'-11" to 10'-0"	7'-11" to 11'-0"	13'-6"	12"
		512-6000-15-12	7'-11" to 12'-0"	8'-11" to 13'-0"	13'-6"	12"
		512-6000-15-15	9'-11" to 15'-0"	10'-11" to 16'-0"	13'-6"	12"
	20'	512-6000-20-10	6'-11" to 10'-0"	8'-1" to 11'-2"	18'-6"	14"
		512-6000-20-12	7'-11" to 12'-0"	9'-1" to 13'-8"	18'-6"	14"
		512-6000-20-15	9'-11" to 15'-0"	11'-1" to 16'-2"	18'-6"	14"
	25'	512-6000-25-10	6'-11" to 10'-0"	8'-1" to 11'-2"	23'-6"	14"
		512-6000-25-12	7'-11" to 12'-0"	9'-1" to 13'-8"	23'-6"	14"
		512-6000-25-15	9'-11" to 15'-0"	11'-1" to 16'-2"	23'-6"	14"

For other models, capacities, spans, heights consult Customer Service.
 Dimensions are based on steel construction. Consult Customer Service for aluminum dimensions.
 Dimensions are subject to change without notice.
Specify Capacity and Span with Model Number when ordering.



01.800.890.0799
www.AGgrupo.mx
contacto@aggrupo.mx
Chihuahua, Chihuahua